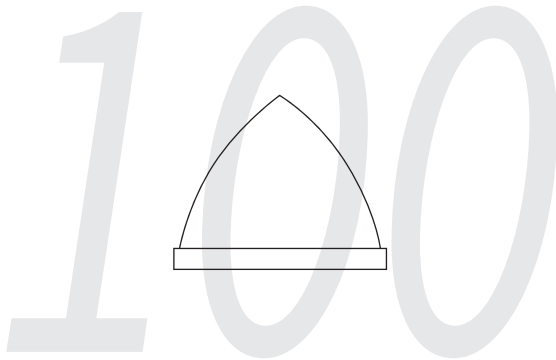


## Printing pads - Series 100



Silicone pads - Series 100 is delivered in hardness 0-30 Shore A, manufactured as standard with wood socket with M6, aluminum or steel socket. We also manufacture customized magnetic click attachment which makes it possible to change pads in seconds without tools or adjustments.

All dimensions are approximately dimensions and the specified print area\* applies to flat pressure surface.

For smaller print areas and tampon mounting of several small silicone tampons, see Series 900 MINI.

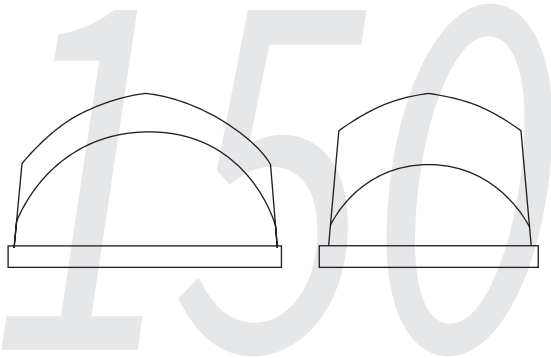
<p><b>BT106</b></p>  <p>H 35</p> <p>Ø 35</p> <p>Print area*: approx. Ø 20</p>	<p><b>BT336</b></p>  <p>H 29</p> <p>35 x 29</p> <p>Print area*: approx. Ø 20 Aluminium socket / M6</p>	<p><b>BT42</b></p>  <p>H 33</p> <p>Ø 34</p> <p>Print area*: approx. Ø 20 Aluminium socket / M6</p>
<p><b>BT498</b></p>  <p>H 45</p> <p>45 x 45</p> <p>Print area*: approx. Ø 20</p>	<p><b>HAB101</b></p>  <p>H 44</p> <p>Ø 40</p> <p>Print area*: approx. Ø 20</p>	<p><b>BT110</b></p>  <p>H 33</p> <p>Ø 34</p> <p>Print area*: approx.: ca Ø 23 Aluminium socket / M6</p>

<p><b>BT511</b></p>  <p>H 55</p> <p>Ø 64</p> <p>Print area*: approx. Ø 25</p>	<p><b>HAB102</b></p>  <p>H 50</p> <p>Ø 50</p> <p>Print area*: approx. Ø 25</p>	<p><b>T40</b></p>  <p>H 32</p> <p>Ø 36</p> <p>Print area*: approx. Ø 26</p>
<p><b>T07</b></p>  <p>H 55</p> <p>Ø 64</p> <p>Print area*: approx. Ø 38</p>	<p><b>BT388</b></p>  <p>H 60</p> <p>Ø 57</p> <p>Print area*: approx. Ø 40</p>	<p><b>HAB104</b></p>  <p>H 64</p> <p>Ø 78</p> <p>Print area*: approx. Ø 45</p>
<p><b>BT191</b></p>  <p>H 89</p> <p>Ø 100</p> <p>Print area*: approx. Ø 50</p>	<p><b>BT386</b></p>  <p>H 80</p> <p>Ø 94</p> <p>Print area*: approx. Ø 50</p>	<p><b>BT523</b></p>  <p>H 77</p> <p>Ø 97</p> <p>Print area*: approx. Ø 50</p>

<p><b>HAB107</b></p>  <p>H 70</p> <p>Ø 83</p> <p>Print area*: approx. Ø 50</p>	<p><b>BT475</b></p>  <p>H 75</p> <p>Ø 95</p> <p>Print area*: approx. Ø 55</p>	<p><b>BT70</b></p>  <p>H 76</p> <p>Ø 85</p> <p>Print area*: approx. Ø 55</p>
<p><b>BT122</b></p>  <p>H 75</p> <p>Ø 87</p> <p>Print area*: approx. Ø 57</p>	<p><b>BT290</b></p>  <p>H 80</p> <p>Ø 98</p> <p>Print area*: approx. Ø 60</p>	<p><b>HAB105</b></p>  <p>H 74</p> <p>Ø 98</p> <p>Print area*: approx. Ø 60</p>
<p><b>T08</b></p>  <p>H 62</p> <p>Ø 82</p> <p>Print area*: approx. Ø 60</p>	<p><b>BT119</b></p>  <p>H 78</p> <p>Ø 79</p> <p>Print area*: approx. Ø 63</p>	<p><b>BT124</b></p>  <p>H 70</p> <p>Ø 107</p> <p>Print area*: approx. Ø 65</p>

<p><b>BT192</b></p>  <p>H 75</p> <p>Ø 87</p> <p>Print area*: approx. Ø 70</p>	<p><b>HAB106</b></p>  <p>H 83</p> <p>Ø 119</p> <p>Print area*: approx. Ø 70</p>	<p><b>BT190</b></p>  <p>H 78</p> <p>Ø 97</p> <p>Print area*: approx. Ø 80</p>
<p><b>BT188</b></p>  <p>H 39</p> <p>Ø 125</p> <p>Print area*: approx. Ø 100</p>	<p>Print area*: approx.</p>	<p>Print area*: approx.</p>
<p>Print area*: approx.</p>	<p>Print area*: approx.</p>	<p>Print area*: approx.</p>

**Printing pads - Series 150**



Silicone pads - Series 150 is delivered in hardness 0-30 Shore A, manufactured as standard with wood socket with M6, aluminum or steel socket. We also manufacture customized magnetic click attachment which makes it possible to change pads in seconds without tools or adjustments.

All dimensions are approximately dimensions and the specified print area\* applies to flat pressure surface.

For smaller print areas and tampon mounting of several small silicone tampons, see Series 900 MINI.

<p><b>BT219</b></p>  <p>H 48</p> <p>73 x 59</p> <p>Print area*: approx. 50 x 40</p>	<p><b>T26</b></p>  <p>H 50</p> <p>79 x 66</p> <p>Print area*: approx. 50 x 40</p>	<p><b>HAB150</b></p>  <p>H 80</p> <p>121 x 74</p> <p>Print area*: approx. 70 x 55</p>
<p><b>BT124.1</b></p>  <p>H 70</p> <p>107 x 80</p> <p>Print area*: approx. 70 x 55</p>	<p><b>T24/1</b></p>  <p>H 70</p> <p>Ø 100</p> <p>Print area*: approx. 75 x 65</p>	<p><b>BT194</b></p>  <p>H 94</p> <p>125 x 80</p> <p>Print area*: approx. 80 x 60</p>

<p><b>BT189</b></p>	<p><b>BT195</b></p>	<p><b>BT261</b></p>
 <p style="text-align: right;">H 80</p>	 <p style="text-align: right;">H 94</p>	 <p style="text-align: right;">H 68</p>
<p>120 x 80</p>	<p>125 x 80</p>	<p>123 x 85</p>
<p>Print area*: approx. 80 x 70</p>	<p>Print area*: approx. 90 x 55</p>	<p>Print area*: approx. 100 x 60</p>
<p><b>[Empty]</b></p>	<p><b>[Empty]</b></p>	<p><b>[Empty]</b></p>
<p><b>[Empty]</b></p>	<p><b>[Empty]</b></p>	<p><b>[Empty]</b></p>
<p>Print area*: approx.</p>	<p>Print area*: approx.</p>	<p>Print area*: approx.</p>
<p><b>[Empty]</b></p>	<p><b>[Empty]</b></p>	<p><b>[Empty]</b></p>
<p><b>[Empty]</b></p>	<p><b>[Empty]</b></p>	<p><b>[Empty]</b></p>
<p>Print area*: approx.</p>	<p>Print area*: approx.</p>	<p>Print area*: approx.</p>