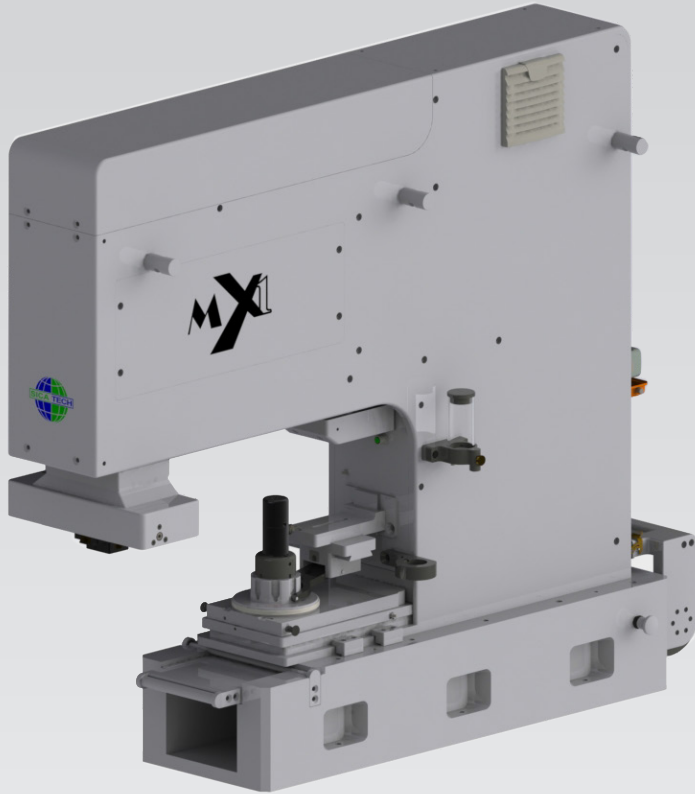
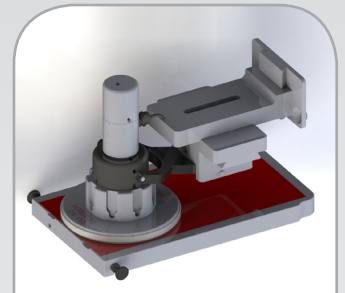




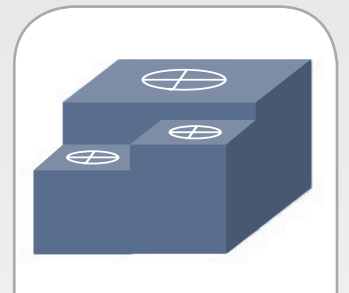
Pad Printing Modular System Printer



X-Control™
10" Touch Screen



Closed Ink
system



Multiprint in
X-Y-Z direction

- ✓ **High Precision**
- ✓ **High Speed**
- ✓ **Robust design**
- ✓ **Fast change over**
- ✓ **Remote system service**
- ✓ **High quality components**
- ✓ **Flexible print cycle programing**

Sicotech A/S
Rødebrovej 17
DK-7600 Struer
Denmark

Phone: +45 97 48 70 17
Fax: +45 97 48 70 27
E-mail: sicotech@sicotech.dk
Internet: www.sicotech.dk

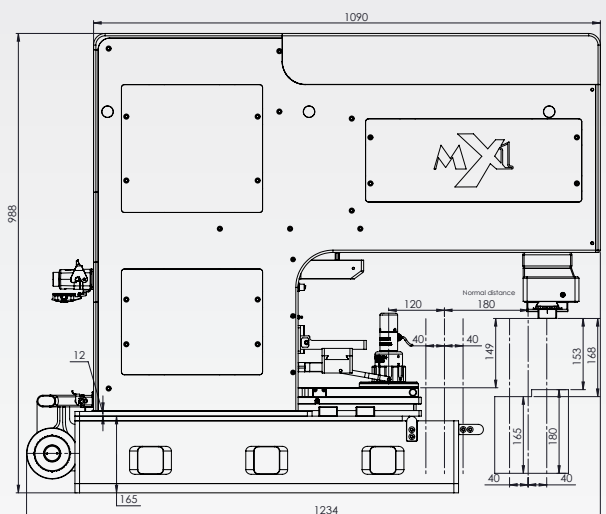
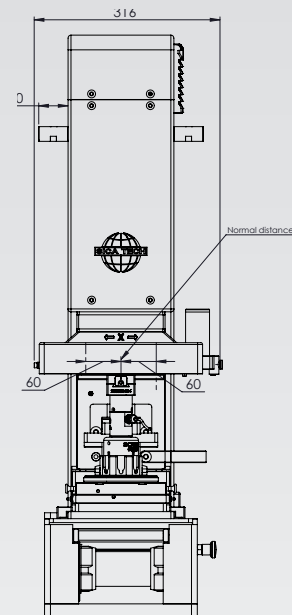
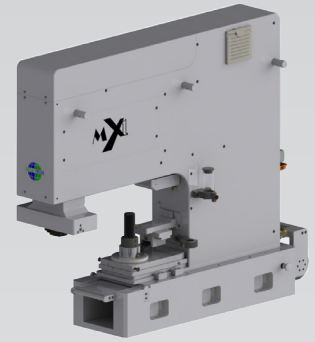


At Sicatech we more than 30 years of experience making pad printing solutions for our customers. Sicatech is known for its quick turnaround and ability to deliver and support the best products on the market. We produce high quality pad printing machines of the best quality and with great attention to details.

The MX-1 Pad Printing Machine is a servo driven machine with technological features to fit a modern production line. With its slim design, it takes a minimum of space in the production line giving faster cycle times.

All movements can be adjusted and optimized to fit with the individual requirement for the printing process, respecting that pad printing is a vivid process. With the Viscomix™ option you can control and dilute the ink in process maintaining a stabile process window.

With the unique X-control™ program interface, easy machine setup can be made directly from the touch screen, and production cycles can be set up freely for a fast and stable production process.



MX-1 Technical data

Cycle speed	Up to 3600 cycles per hour
Print force	Max. 2000 N
Pad stroke	Max. 150 mm
Print Accuracy	+/- 0,02 mm
Control System	PLC, Allen Bradley
Main Voltage	110-240V / 50-60Hz
Communication	Ethernet IP or Digital I/O
Machine Weight	213 kg
No. of colours	1
Cup sizes / Image size	Ø 56 mm / Ø 46 mm Ø 77 mm / Ø 67 mm Ø 86 mm / Ø 76 mm Ø 120 mm / Ø 110 mm Oval cup up to 120/160 mm
Dimensions	See drawings