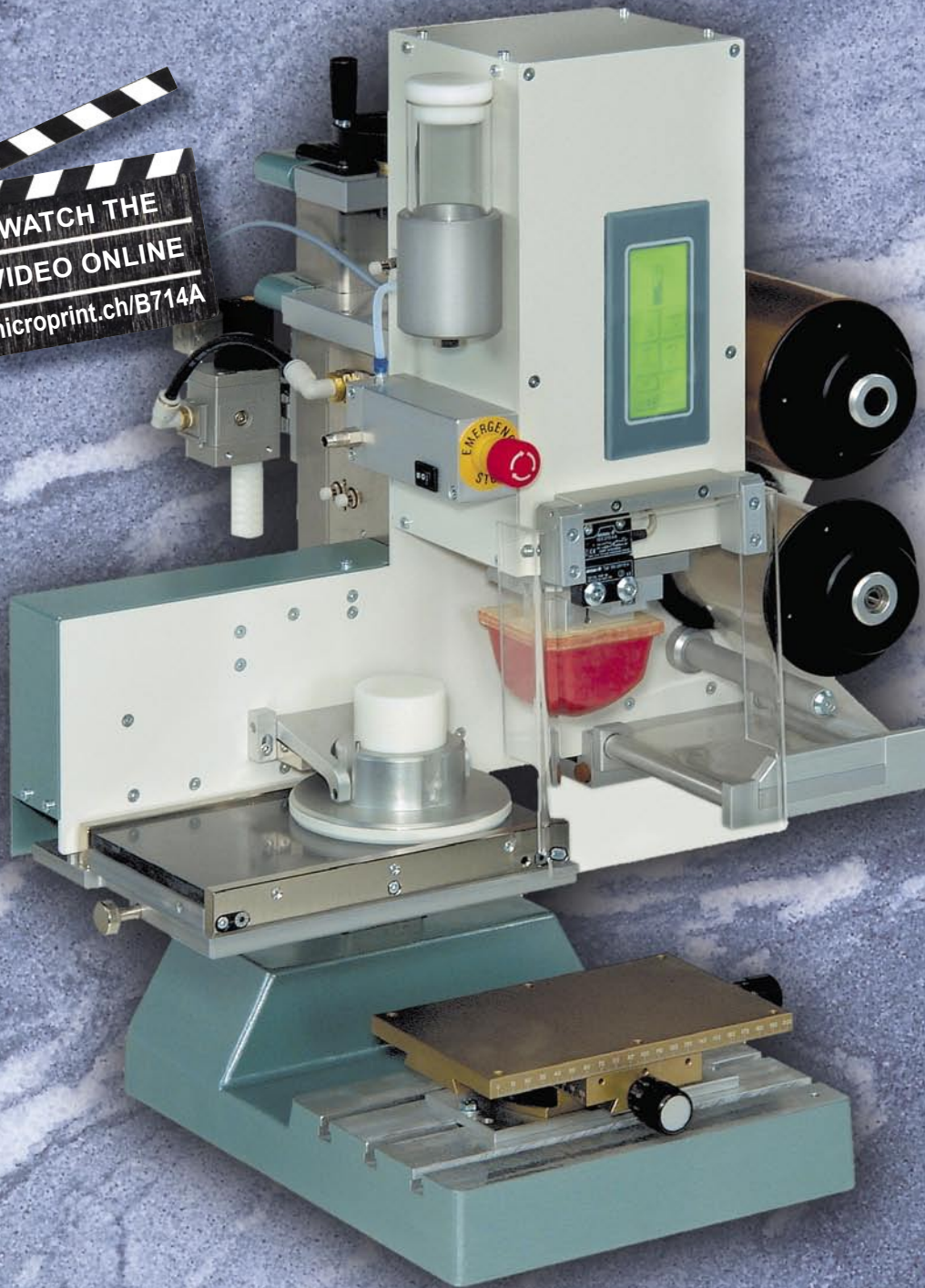


Pad printing machine with automatic pad cleaning

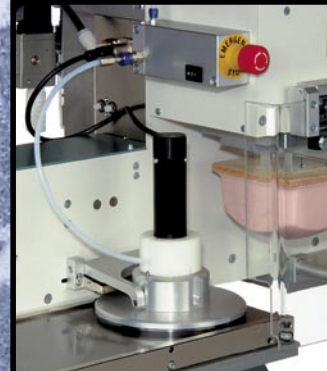
WATCH THE
VIDEO ONLINE
microprint.ch/B714A



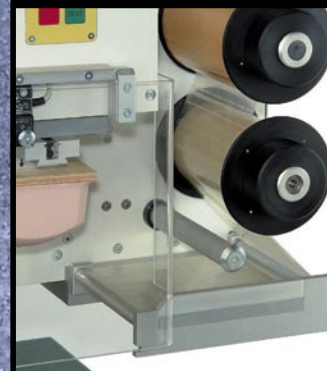
Precision
engineered for
superior quality
printing



X-Y-R Plateadjustment



Viscomatic



**Automatic
padcleaning**

- Easy set-up and change-over
- Fully integrated automatic pad cleaning
- Fully-automatic ink viscosity control (optional)
- Built with first class components for long life
- Worldwide Service and Support

microPrint
Top in Padprinting

Pad printing machine with automatic pad cleaning

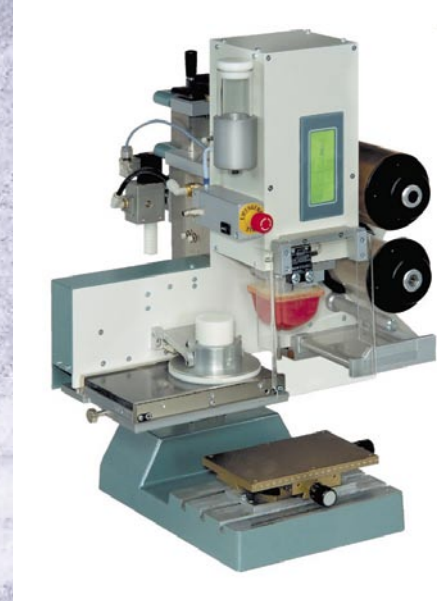
PAD PRINTING MACHINE
LCN 151

The LCN 151 is a compact and robust padprinting machine that has been fine-tuned for performance. The LCN 151 is very reliable and simple to operate, and it works well as a stand-alone printer or is easily integrated into automated systems. In building all microPrint machines

we use only top quality world class components and our workmanship is unparalleled.

Worldwide service

All microPrint machines come complete with our worldwide customer service network and are backed with a **3 year** limited warranty.



Technical data

Printing capacity:	up to 2000/hr
Drive:	pneumatic
Printing force:	max. 1100 N
Compressed air supply:	5–6 bar (87 psi)
Air consumption:	1,8 l/cycle
Control system:	PLC
Main voltage:	110 – 240 V 50–60Hz.
Control voltage:	24 VDC
Weight Modul:	42 kg.
Weight Stand:	20 kg.
Dimensions:	see illustration
Plate size, closed System:	150 x 300 mm
Platethickness:	0.5 or 10 mm
Cup size.	Ø 140 mm
Print:	Ø 130 mm

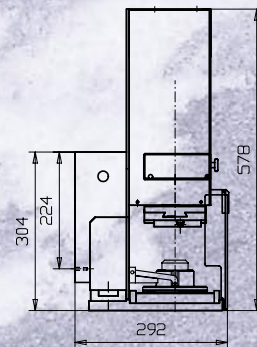
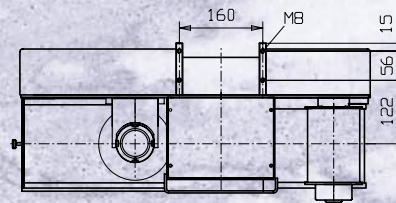
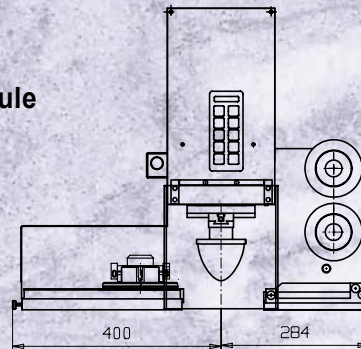
also available with open inkwell upon special request

Info

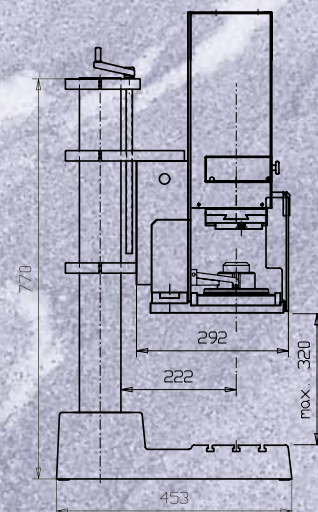
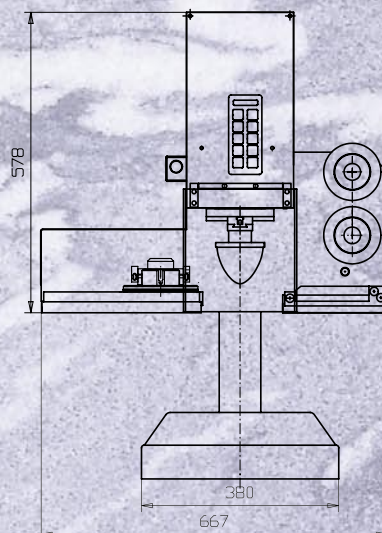
We keep you informed with our home page <http://www.microprint.ch> about our newest developments. You will also find useful information about padprinting.

Machine description: B712C
Dimensional drawing: B715C

Module



Stand



microPrint

Top in Padprinting

microPrint LC GmbH

Mühlentalstrasse 184

CH-8200 Schaffhausen, Switzerland

Phone: + 41 (0) 52 624 50 59

Fax: + 41 (0) 52 624 50 22

E-mail: info@microprint.ch

<http://www.microprint.ch>

Representative: